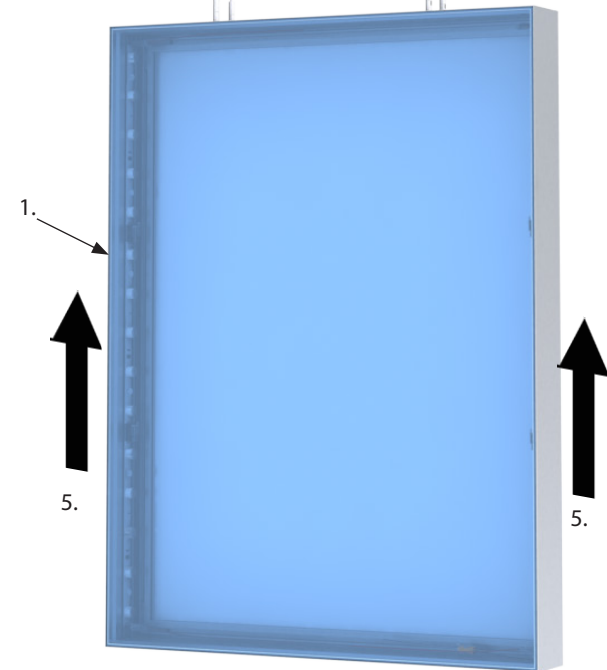
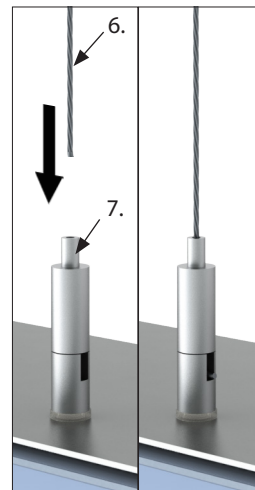
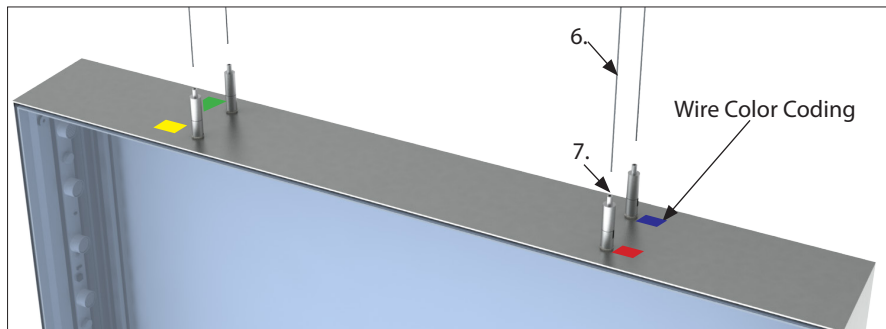
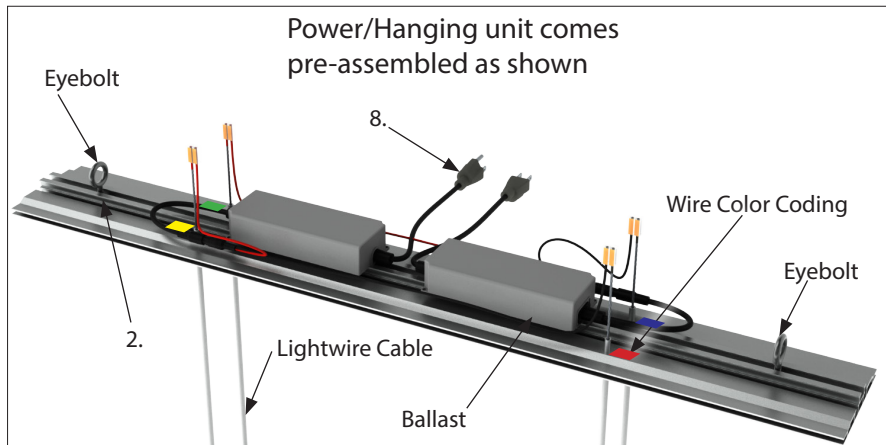
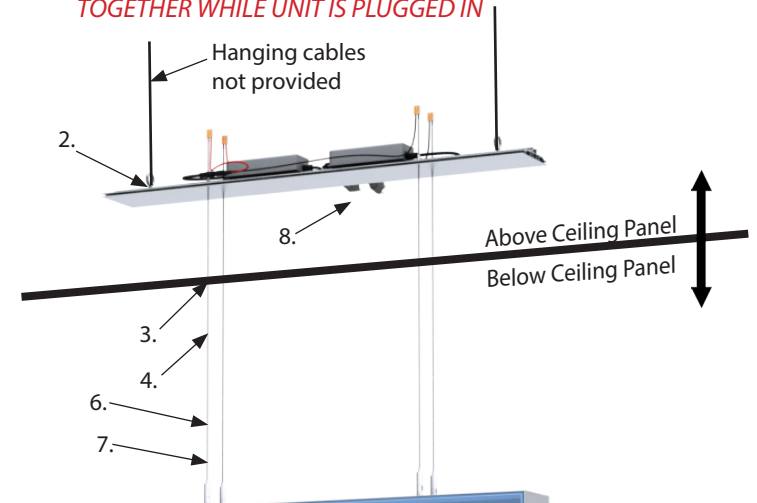


Charisma Lightwire SEG™ Electrified Cable - XLW Series, Double Cable Pair

1. Fully assemble the light box (separate instructions sheet).
2. Using the pre-installed eyebolts of the Power/Hanging assembly, hang the Power/Hanging assembly from a Unistrut or other ceiling structure above the ceiling, which is more than sufficient to bear the weight of the full assembly.
3. Drill or otherwise cut a 1/8" diameter hole in the ceiling surface to match the hole pattern of the 4 wires.
4. Feed the lightwire cables from the power assembly, down through the holes in the ceiling.
5. Lift the light box up to where the lightwire cables are hanging, matching color coding on the cables.
6. NOTE – The wire length can be trimmed as needed on-site. Use a strong and sharp set of wire cutters to reduce fraying.
7. Depress the stopper (small top cylinder) at the top of the box to feed in the Lightwire cable. Be careful when feeding as hitting the sides or being forceful may cause the wire to fray. The wire shouldn't be contacting the box itself, if it is, while depressing the stopper retract the wire as needed.
8. Plug in the ballast – Light box should illuminate immediately.
9. Troubleshooting – If for some reason the light box doesn't turn on, check for a short. Ensure the Lightwire cables aren't touching the light box and that there's no conductive surface connecting the two sides. If it still isn't working, take the lightwire cables out from the top of the light box, rotate the and re-insert the wires. If this works, your cables are flipped.

CAUTION: DO NOT TOUCH HANGING WIRES TOGETHER WHILE UNIT IS PLUGGED IN



ELECTRICAL NOTE:

This sign is intended to be installed in accordance with the requirements of Article 600 of the National Electrical Code and/or other applicable codes. This includes proper grounding and bonding of the sign.